

Datasheet

RS Pro DPDT PCB mount Non-Latching Relay, 5V Coil, 3 A

RS Stock No: **800-4502**

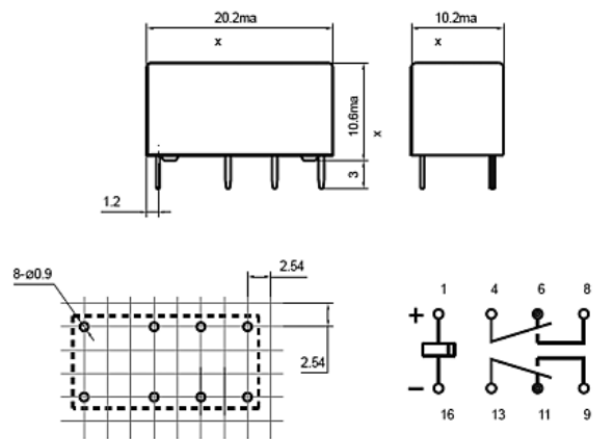


Product Details

RS Pro DPDT non-latching relay has a coil voltage of 5 V. This PCB mount relay withstands currents up to 3 A. It offers connection through silver alloy contacts for added durability.

Features and Benefits

- High inrush: TV-5 80A (at 125 V ac)
- Low profile of 15.7 mm high
- 5 mm pinning
- 5 kV dielectric strength (between coil and contacts)
- Surge voltage up to 10 kV (between coil and contacts)
- Wash tight
- Creepage distance of 10 mm
- Conforms to VDE 0435/ 0631/ 0700



**Specifications:**

Application	General Purpose
Coil Power	200 mW
Coil Resistance	125 Ω
Coil Voltage	5 V dc
Contact Configuration	DPDT
Contact Material	Gold Plated Silver, Silver Palladium
Depth	10.2 mm
Dimensions	20.2 x 10.6 x 10.2 mm
Electrical Life	50000 cycles
Height	10.6 mm
Isolation Coil To Contact	1500 V ac
Length	20.2 mm
Life	50000 cycles (Electrical), 1000000 cycles (Mechanical)
Maximum Operating Temperature	+85°C
Maximum Switching Current (AC)	3 A ac
Maximum Switching Current (DC)	3 A dc
Maximum Switching Power (AC)	125 VA
Maximum Switching Power (DC)	90 W
Maximum Switching Voltage (AC)	250 V ac
Maximum Switching Voltage (DC)	220 V dc
Minimum Operating Temperature	-40°C
Mounting Type	PCB Mount
Number of Poles	2
Operating Temperature Range	-40 to +85°C
Relay Switching Classification	Subminiature DIP Relay
Special Features	Single Side Stable
Standards Met	RoHS Compliant, cULus E133481, CQC 13002095174
Terminal Type	Through Hole